

## Swing Clamps

Aluminum, Pneumatic, with Screw-In Thread

### SPECIFICATION

#### Coding

- Type **L**: Swiveling left
- Type **R**: Swiveling right

#### Types

- Type **A**: Clamping arm with slotted hole and 2 flanged washers
- Type **AC**: Clamping arm with slotted hole, 2 flanged washers and GN 708.1 (see page 1625) spindle assembly
- Type **B**: Clamping arm with threaded hole
- Type **F**: Adapter flange
- Type **N**: without clamping arm

Aluminum

Hard anodized

Wear-resistant surface

Double-action air cylinder

Max. pressure 6 bar

Socket cap screw DIN 912

Steel, zinc plated, blue passivated

Washer ISO 7092

Steel, zinc plated, blue passivated

- Clamping screw GN 708.1 (see page )type AC

- with flanged washers



### INFORMATION

Swing clamps GN 876 are used when the clamping point for inserting and removing the workpiece must be freely accessible on top.

The design allows especially space-saving mounting. The height of the swing clamp can be adjusted via the screw-in thread.

During the clamping action, the arm is first swiveled by 90° and lowered, followed by the linear tensioning motion. The workpiece clamping must take place within the clamping stroke.

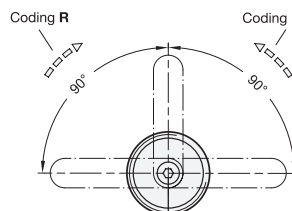
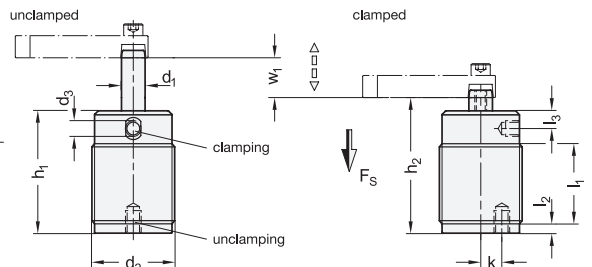
The angle orientation of the clamping arm can be set arbitrarily during mounting on the swing clamp. When tightening the screw, the piston rod must not experience any torque. The clamping arm must therefore be held to prevent twisting.

### ACCESSORY

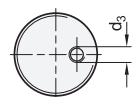
- Clamping arms GN 875.2 (see page )
- Clamping arms GN 875.3 (see page )
- Adapter flanges GN 875.4 (see page )
- Threaded flanges GN 876.1 (see page )
- Spindle assemblies GN 708.1 (see page 1625)
- Slotted locknuts DIN 70852 (see page )

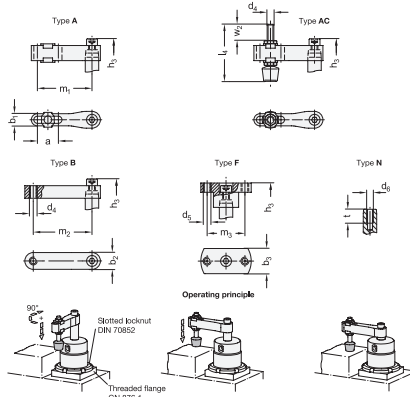
### TECHNICAL INFORMATION

- List of pneumatic clamps (see page )



View from below





GN 876

Description	Size d1	Fs in N	a	b1	b2	b3	d2	d3	d4	d5	d6	h1	h2 ≈	h3 ≈	k	l1	l2	l3	l4	m1	m2	m3	t	w1 clamping stroke	w1 Stroke	w2	Max. tightening torque in Nm
GN 876-25-14-L-A	25	14	170	20	11.3	18	-	M 40 x 1.5	M 5	-	-	70	74	128	8.9	43	3	16	-	50	-	-	14	28	-	9	285
GN 876-25-14-R-A	25	14	170	20	11.3	18	-	M 40 x 1.5	M 5	-	-	70	74	128	8.9	43	3	16	-	50	-	-	14	28	-	9	287
GN 876-32-16-L-A	32	16	270	25	14.5	20	-	M 50 x 1.5	G 1/8	-	-	79	83	141	12.7	54	3	12	-	65	-	-	14	30	-	18	495
GN 876-32-16-R-A	32	16	270	25	14.5	20	-	M 50 x 1.5	G 1/8	-	-	79	83	141	12.7	54	3	12	-	65	-	-	14	30	-	18	501
GN 876-40-16-L-A	40	16	450	25	14.5	20	-	M 55 x 1.5	G 1/8	-	-	83	87	144	14.3	58	3	12	-	65	-	-	14	29	-	18	589
GN 876-40-16-R-A	40	16	450	25	14.5	20	-	M 55 x 1.5	G 1/8	-	-	83	87	144	14.3	58	3	12	-	65	-	-	14	29	-	18	593
GN 876-50-20-L-A	50	20	700	30	17.5	25	-	M 65 x 1.5	G 1/8	-	-	87	92	156	17.8	61	3	12	-	85	-	-	14	29	-	35	949
GN 876-50-20-R-A	50	20	700	30	17.5	25	-	M 65 x 1.5	G 1/8	-	-	87	92	156	17.8	61	3	12	-	85	-	-	14	29	-	35	950
GN 876-63-20-L-A	63	20	1100	30	17.5	25	-	M 80 x 1.5	G 1/8	-	-	92	97	162	20.3	64	3	13	-	85	-	-	15	30	-	35	1427
GN 876-63-20-R-A	63	20	1100	30	17.5	25	-	M 80 x 1.5	G 1/8	-	-	92	97	162	20.3	64	3	13	-	85	-	-	15	30	-	35	1429
GN 876-25-14-L-AC	25	14	170	20	11.3	18	-	M 40 x 1.5	M 5	M 6	-	70	74	128	8.9	43	3	16	55	50	-	-	14	28	18	9	301
GN 876-25-14-R-AC	25	14	170	20	11.3	18	-	M 40 x 1.5	M 5	M 6	-	70	74	128	8.9	43	3	16	55	50	-	-	14	28	18	9	303
GN 876-32-16-L-AC	32	16	270	25	14.5	20	-	M 50 x 1.5	G 1/8	M 8	-	79	83	141	12.7	54	3	12	68	65	-	-	14	30	21	18	529
GN 876-32-16-R-AC	32	16	270	25	14.5	20	-	M 50 x 1.5	G 1/8	M 8	-	79	83	141	12.7	54	3	12	68	65	-	-	14	30	21	18	535
GN 876-40-16-L-AC	40	16	450	25	14.5	20	-	M 55 x 1.5	G 1/8	M 8	-	83	87	144	14.3	58	3	12	68	65	-	-	14	29	21	18	623
GN 876-40-16-R-AC	40	16	450	25	14.5	20	-	M 55 x 1.5	G 1/8	M 8	-	83	87	144	14.3	58	3	12	68	65	-	-	14	29	21	18	627
GN 876-50-20-L-AC	50	20	700	30	17.5	25	-	M 65 x 1.5	G 1/8	M 10	-	87	92	156	17.8	61	3	12	77	85	-	-	14	29	19	35	999
GN 876-50-20-R-AC	50	20	700	30	17.5	25	-	M 65 x 1.5	G 1/8	M 10	-	87	92	156	17.8	61	3	12	77	85	-	-	14	29	19	35	1000
GN 876-63-20-L-AC	63	20	1100	30	17.5	25	-	M 80 x 1.5	G 1/8	M 10	-	92	97	162	20.3	64	3	13	77	85	-	-	15	30	19	35	1477
GN 876-63-20-R-AC	63	20	1100	30	17.5	25	-	M 80 x 1.5	G 1/8	M 10	-	92	97	162	20.3	64	3	13	77	85	-	-	15	30	19	35	1479
GN 876-25-14-L-B	25	14	170	-	-	18	-	M 40 x 1.5	M 5	M 6	-	70	74	128	8.9	43	3	16	-	50	-	-	14	28	-	9	281
GN 876-25-14-R-B	25	14	170	-	-	18	-	M 40 x 1.5	M 5	M 6	-	70	74	128	8.9	43	3	16	-	50	-	-	14	28	-	9	283
GN 876-32-16-L-B	32	16	270	-	-	20	-	M 50 x 1.5	G 1/8	M 8	-	79	83	141	12.7	54	3	12	-	60	-	-	14	30	-	18	486
GN 876-32-16-R-B	32	16	270	-	-	20	-	M 50 x 1.5	G 1/8	M 8	-	79	83	141	12.7	54	3	12	-	60	-	-	14	30	-	18	492
GN 876-40-16-L-B	40	16	450	-	-	20	-	M 55 x 1.5	G 1/8	M 8	-	83	87	144	14.3	58	3	12	-	70	-	-	14	29	-	18	599
GN 876-40-16-R-B	40	16	450	-	-	20	-	M 55 x 1.5	G 1/8	M 8	-	83	87	144	14.3	58	3	12	-	70	-	-	14	29	-	18	603
GN 876-50-20-L-B	50	20	700	-	-	25	-	M 65 x 1.5	G 1/8	M 10	-	87	92	156	17.8	61	3	12	-	80	-	-	14	29	-	35	933
GN 876-50-20-R-B	50	20	700	-	-	25	-	M 65 x 1.5	G 1/8	M 10	-	87	92	156	17.8	61	3	12	-	80	-	-	14	29	-	35	934
GN 876-63-20-L-B	63	20	1100	-	-	25	-	M 80 x 1.5	G 1/8	M 10	-	92	97	162	20.3	64	3	13	-	90	-	-	15	30	-	35	1438
GN 876-63-20-R-B	63	20	1100	-	-	25	-	M 80 x 1.5	G 1/8	M 10	-	92	97	162	20.3	64	3	13	-	90	-	-	15	30	-	35	1440
GN 876-25-14-L-F	25	14	170	-	-	25	M 40 x 1.5	M 5	-	M 6	-	70	74	128	8.9	43	3	16	-	-	38	-	14	28	-	9	248
GN 876-25-14-R-F	25	14	170	-	-	25	M 40 x 1.5	M 5	-	M 6	-	70	74	128	8.9	43	3	16	-	-	38	-	14	28	-	9	250
GN 876-32-16-L-F	32	16	270	-	-	30	M 50 x 1.5	G 1/8	-	M 8	-	79	83	141	12.7	54	3	12	-	-	45	-	14	30	-	18	432
GN 876-32-16-R-F	32	16	270	-	-	30	M 50 x 1.5	G 1/8	-	M 8	-	79	83	141	12.7	54	3	12	-	-	45	-	14	30	-	18	438
GN 876-40-16-L-F	40	16	450	-	-	30	M 55 x 1.5	G 1/8	-	M 8	-	83	87	144	14.3	58	3	12	-	-	45	-	14	29	-	18	526
GN 876-40-16-R-F	40	16	450	-	-	30	M 55 x 1.5	G 1/8	-	M 8	-	83	87	144	14.3	58	3	12	-	-	45	-	14	29	-	18	530
GN 876-50-20-L-F	50	20	700	-	-	32	M 65 x 1.5	G 1/8	-	M 8	-	87	92	156	17.8	61	3	12	-	-	48	-	14	29	-	35	814
GN 876-50-20-R-F	50	20	700	-	-	32	M 65 x 1.5	G 1/8	-	M 8	-	87	92	156	17.8	61	3	12	-	-	48	-	14	29	-	35	815
GN 876-63-20-L-F	63	20	1100	-	-	32	M 80 x 1.5	G 1/8	-	M 8	-	92	97	162	20.3	64	3	13	-	-	48	-	15	30	-	35	1292
GN 876-63-20-R-F	63	20	1100	-	-	32	M 80 x 1.5	G 1/8	-	M 8	-	92	97	162	20.3	64	3	13	-	-	48	-	15	30	-	35	1294
GN 876-25-14-L-N	25	14	170	-	-	-	M 40 x 1.5	M 5	-	-	M 8	70	74	-	8.9	43	3	16	-	-	-	14	14	28	-	-	244
GN 876-25-14-R-N	25	14	170	-	-	-	M 40 x 1.5	M 5	-	-	M 8	70	74	-	8.9	43	3	16	-	-	-	14	14	28	-	-	246
GN 876-32-16-L-N	32	16	270	-	-	-	M 50 x 1.5	G 1/8	-	-	M 8	79	83	-	12.7	54	3	12	-	-	-	16	14	30	-	-	428
GN 876-32-16-R-N	32	16	270	-	-	-	M 50 x 1.5	G 1/8	-	-	M 8	79	83	-	12.7	54	3	12	-	-	-	16	14	30	-	-	434
GN 876-40-16-L-N	40	16	450	-	-	-	M 55 x 1.5	G 1/8	-	-	M 8	83	87	-	14.3	58	3	12	-	-	-	16	14	29	-	-	522
GN 876-40-16-R-N	40	16	450	-	-	-	M 55 x 1.5	G 1/8	-	-	M 8	83	87	-	14.3	58	3	12	-	-	-	16	14	29	-	-	526
GN 876-50-20-L-N	50	20	700	-	-	-	M 65 x 1.5	G 1/8	-	-	M 10	87	92	-	17.8	61	3	12	-	-	-	16	14	29	-	-	810
GN 876-50-20-R-N	50	20	700	-	-	-	M 65 x 1.5	G 1/8	-	-	M 10	87	92	-	17.8	61	3	12	-	-	-	16	14	29	-	-	811
GN 876-63-20-L-N	63	20	1100	-	-	-	M 80 x 1.5	G 1/8	-	-	M 10	92	97	-	20.3	64	3	13	-	-	-	16	15	30	-	-	1288
GN 876-63-20-R-N	63	20	1100	-	-	-	M 80 x 1.5	G 1/8	-	-	M 10	92	97	-	20.3	64	3	13	-	-	-	16	15	30	-	-	1290



Toggle, power and hook clamps 14